

Tray Heights by Battery Plate Size

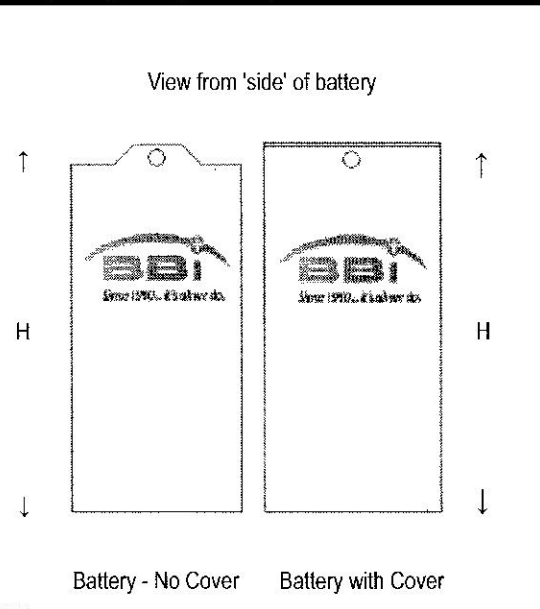
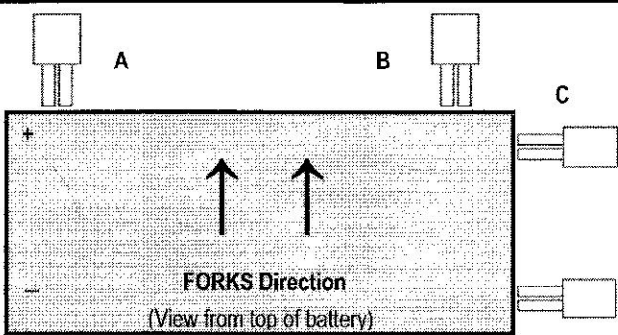


Plate Size	(H) HEIGHT measured to highest point including lifting points and assemblies	cover
45A	15 5/8 "	no cover
	16 5/8 "	with cover
55A	18 1/4 "	no cover
	18 3/4 "	with cover
75A 85A	22 5/8 "	no cover
	23 3/4 "	with cover
100A	25 5/8 "	no cover
	26 1/4 "	with cover
125A	30 1/4 "	no cover
	31 "	with cover

SB (Standard Connectors)

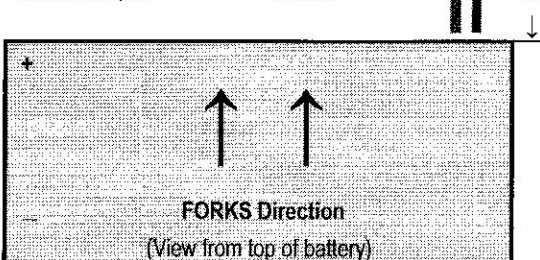
SB 175A Type	
Gray	# 6325G1
Blue	# 6326G1
Orange	# 6327G1
Yellow	# 6328G1
Red	# 6329G1
3 1/8 (L) x 2 1/8 (W) x 1" (D)	
SB 350A Type	
Gray	# 6320G1
Blue	# 6321G1
Red	# 6322G1
Yellow	# 6323G1
Green	# 6324G1
Orange	# 6400G1
4 1/4 (L) x 2 7/8 (W) x 1 3/8" (D)	

Terminal Positions to fit forklift (A,B,C,D)

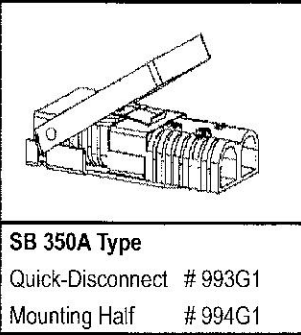


Example for ordering :

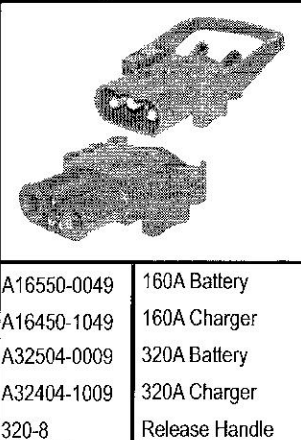
LEAD LENGTH 16"
Terminal Position B
Connector Type 6340G1



Quick-Disconnects



Fast Charge Connectors



SBX Type (Auxiliary Port)

SBX 175A Type	
Gray	# 6370G1
Blue	# 6371G1
Orange	# 6372G1
Yellow	# 6373G1
Red	# 6378G1
Green	# 6387G1
3 1/8 (L) x 2 1/8 (W) x 1" (D)	
SBX 350A Type	
Gray	# 6340G1
Blue	# 6341G1
Red	# 6342G1
Green	# 6343G1
Yellow	# 6360G1
Orange	# 6368G1
4 1/4 (L) x 2 7/8 (W) x 1 3/8" (D)	

A-FRAME Handles

Fits all SB Types	
# 995	